

Programmable temperature controller, PID auto-tune 25 x 48, multi sensor, relay and SSR (solid state relay) outputs

Type: 242



Reduced size: very small foot print allows it to replace any electromechanical thermostat.

Simple End-user interface: Easy to read 4-digit LED display. Change of set point is made without password, with "up" and "down" keys.

Simple installation interface: auto-tune PID control, relay output and SSR output are standard.

Simple storage and maintenance: one model covers all applications.

Electronics: Microprocessor, using Fuzzy Logic technology. It enables a process to reach a predetermined set point in the shortest time, with the minimum of overshoot during power-up or external load disturbance.

Input: RTD: Pt100, Cu50, Thermocouple: T, R, J, B, S, K, E, Wre-3 Wre25.

Output: relay contact output and voltage pulse output.

Alarm: the relay output can be used as alarm when control action uses SSR output.

Operation: auto-tune function sets the PID parameters to the system characteristics.

Display: single display. Temperature Unit: °C or °F.

Power supply voltage: AC 36~260V 50-60Hz (DC 36~260V. If connected to DC power supply, terminal 1 is positive, terminal 2 is negative).

Power: < 3W.

Relay contact rating: AC220V/3A resistive, 30VDC/3A resistive (NO or NC), 1x105 cycles.

Voltage pulse output: 8V (open-circuit voltage) 30mA (short-circuit current).

Temperature precision: 0.2%FE.

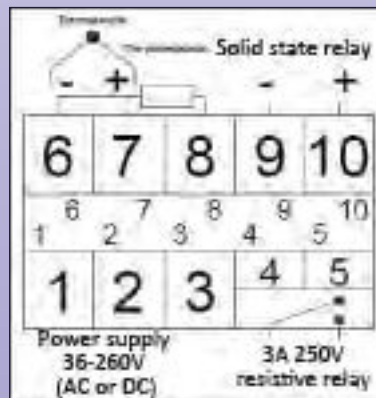
Over-scale, under-scale, and open circuit sensor display:EEEE.

Dimensions: 48 x 25 x 75mm.

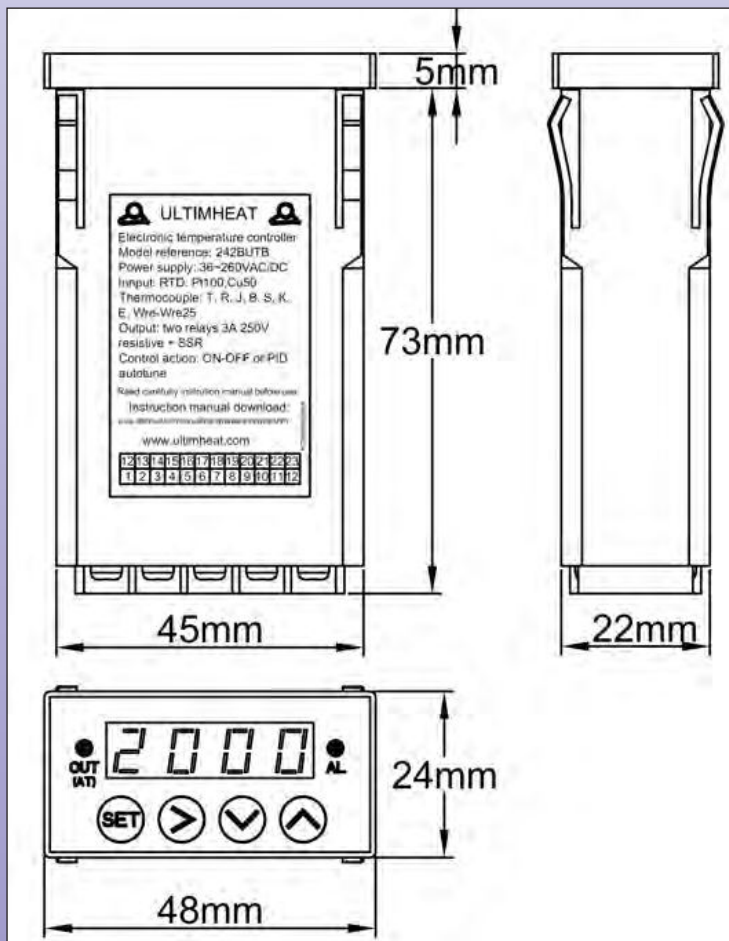
Panel cut-out: 45 x 22 mm

Ambient Temperature: 0 to 50 °C, 0 to 85% Relative Humidity

Connection:



Reference 242BUTB



Because of permanent improvement of our products, drawings, descriptions, features used on these data sheets are for guidance only and can be modified without prior advice

